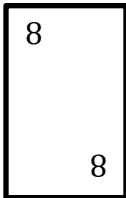


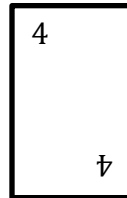
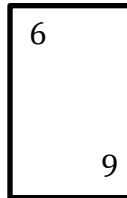
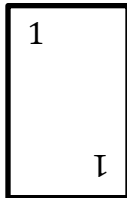
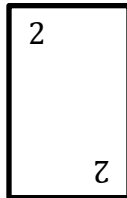
Name: _____

Unit 1 Study Guide

John was playing *Name that Number*. He had these cards shown below. Write **two** different expressions to show how he could play his cards. Make sure to use grouping symbols in at least one of the expressions.

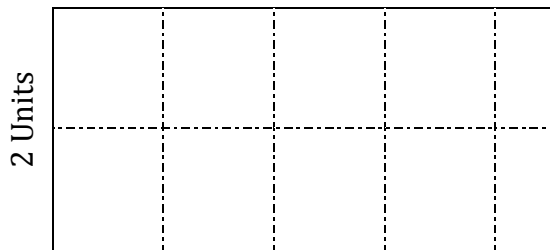


Target
Number



Find the area of the rectangle. Write the number sentence you used to solve.

4 $\frac{1}{2}$ Units



Area: _____ square units

Number Sentence: _____

Solve

$12 * (5 + 3) = \underline{\hspace{2cm}}$

$(12 * 5) + 3 = \underline{\hspace{2cm}}$

Tim had 12 goldfish and 4 guppies. Half of the fish are male. Write an expression that shows how many fish are female.

Circle the items that have volume

a water bottle the top of a coin

a drawing of a car a pencil

a macaroni box your body

Mrs. Smith asked her class to find the volume of a shoebox with any object. Jim filled the box and said its volume was 367 bouncy balls. Sandy filled the same shoebox and said its volume was 144 cubes.

Explain how Jim and Sandy could get different volumes for the same box.

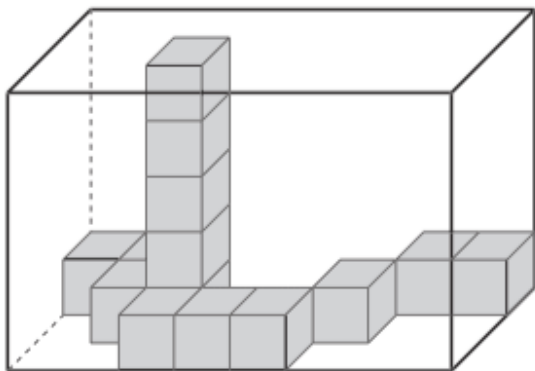
Circle the best option to measure volume of a rectangular prism. Then, explain why.

Bouncy balls

pencils

cubes

paperclips

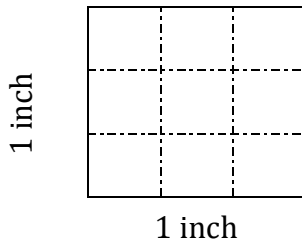


How many cubes will it take to fill the prism?

_____ cubes

What is the volume of the prism?

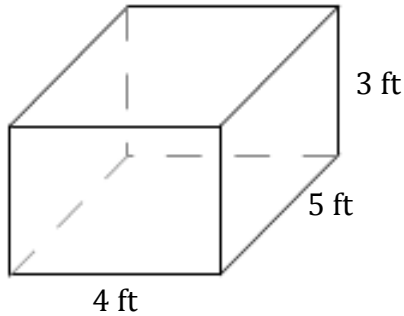
_____ cubes



_____ squares with side length of $\frac{1}{3}$ inch fit in 1 square inch.

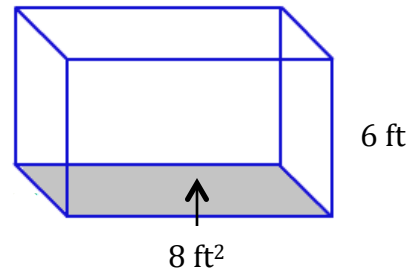
What pattern do you notice about the relationship between the **side length** of the smaller squares and the number of squares that will fit in 1 square inch?

Solve



Volume: _____

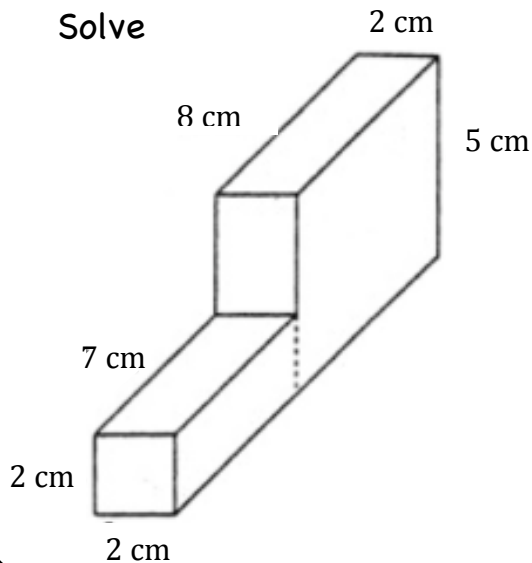
_____ number sentence



Volume: _____

_____ number sentence

Solve



Volume: _____ cubic centimeters

_____ number sentence

extra work space